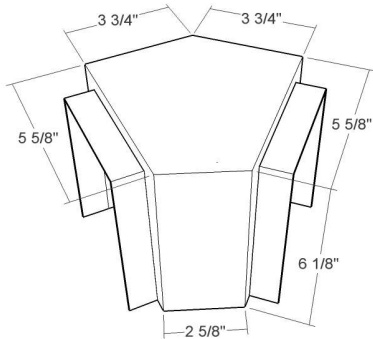


CURBSTILE™

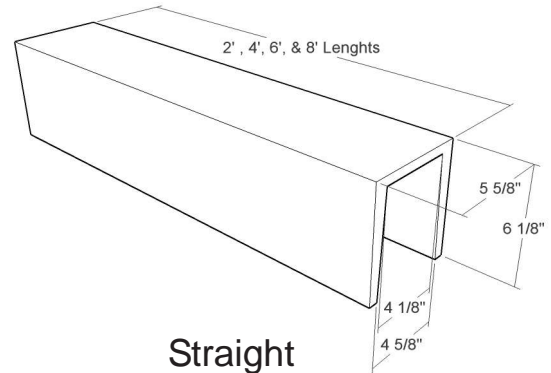
TM
PATENT PENDING

UNIVERSAL CURB SYSTEM FOR SHOWERS & WALLS

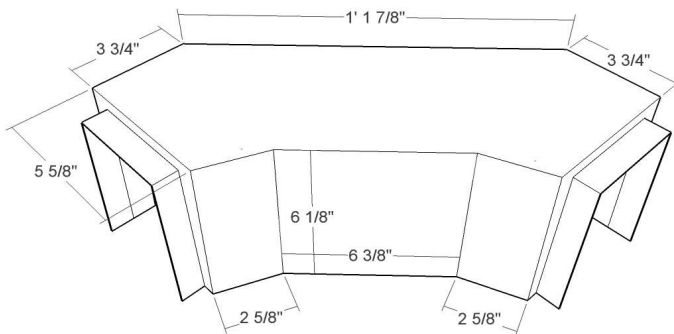
Component Specifications



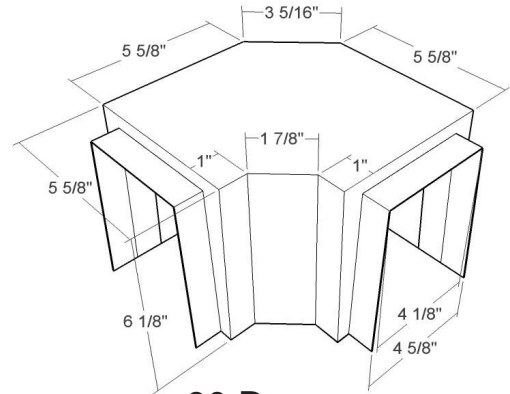
45 Degree



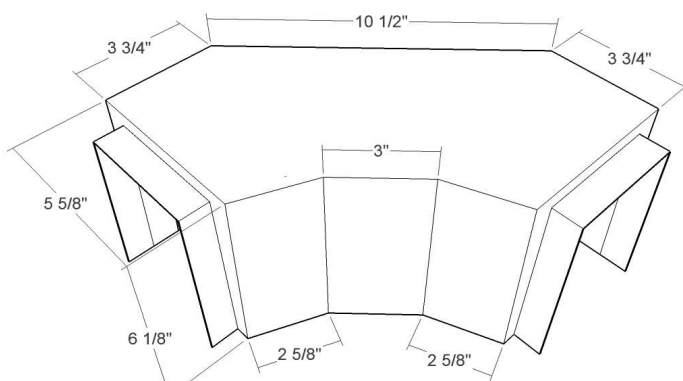
Straight



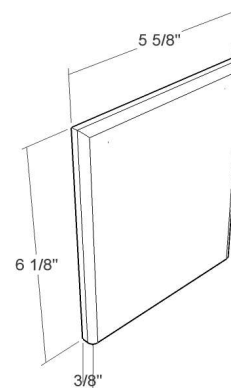
90 Degree Arque
14.5" Allbend Radius



90 Degree



90 Degree Allbend



End Cap



4018 12th Street NW Canton, Ohio 44708
Tel (330) 477-4348 Fax (330) 477-6174

© 2005 copyright PD-12 Inc. CURBSTILE™ is owned and protected by PD-12 Inc. Canton, Ohio 44708

For additional information
and technical details
visit our web site:
www.curbstile.com